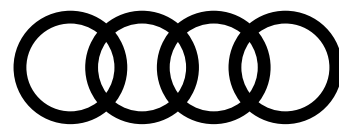


SQ8



myAudi world
Enriching Experiences

To discover more about the exclusive privileges that come with owning an Audi, visit www.myAudiworld.sg

TECHNICAL DATA

SQ8 4.0 TFSI quattro tiptronic

ENGINE

Propellant	Petrol
Type	V8 bi-turbo engine with direct fuel injection, turbocharging with intercooler
Valves	32
Engine capacity	3,996
Max output kW (hp)/rpm	373 (507) / 5,500
Max torque (Nm)/rpm	770 / 2,000 - 4,000

TRANSMISSION

Gearbox	8-speed tiptronic transmission
Drive	quattro permanent all-wheel drive

PERFORMANCE

Acceleration 0-100km/h	4.1
Top speed (km/h)	250
Fuel consumption (combined) in l/100km	13.3
VES banding	C3
Start/stop system	Yes

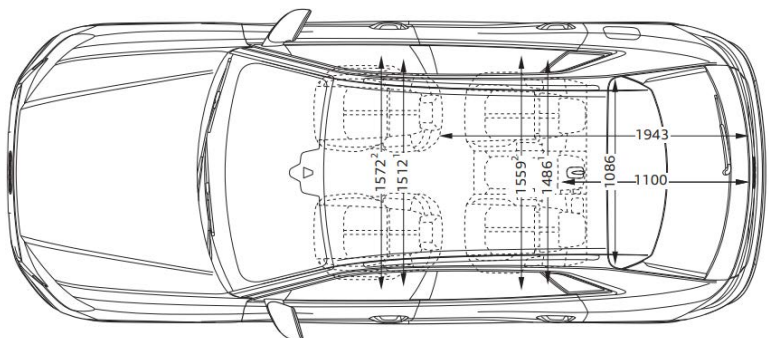
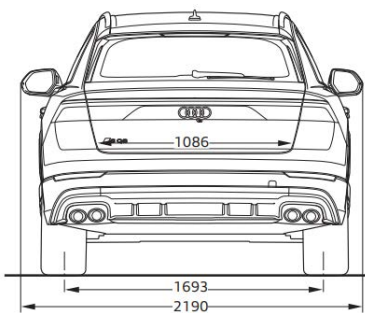
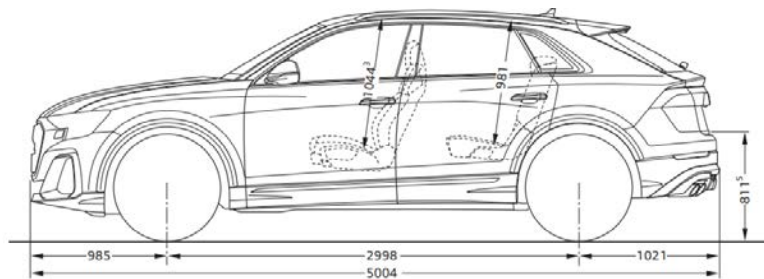
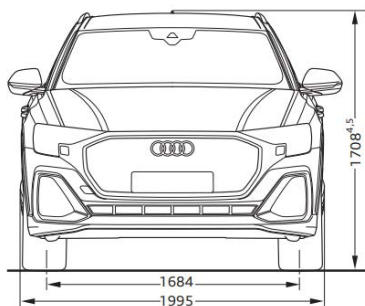
CHASSIS

Steering	Electromechanical power steering
Front suspension	Multi-link
Rear suspension	Multi-link

BRAKES

Front	Ventilated discs
Rear	Ventilated discs
Braking assistance	Anti-lock Braking System (ABS)

Measurements (All in mm)



Dimensions are based on technical data from Audi Germany.
Actual specifications may vary from models shown.

Wheelbase	2,998
Length	5,004
Height	1,708
Width (mirrors folded/unfolded)	1,995 / 2,190
Track (front/rear)	1,684 / 1,693
Turning circle (m)	13.3
Kerb weight (kg)	2,240
Luggage volume (litres)	605
Fuel tank (litres)	85

STANDARD EQUIPMENT

	SQ8 4.0 TFSI quattro tiptronic
SAFETY	
Anti-theft wheel bolts with loose wheel warning and alarm system	•
Front and rear side airbags with head airbag system	•
Front airbags with front passenger airbag deactivation	•
TECHNOLOGY AND ASSISTANCE SYSTEMS	
Adaptive air suspension, sport	•
Adaptive cruise control	•
All-wheel steering	•
Audi drive select	•
Audi pre sense front and rear	•
Automatic slip-control differential	•
Comfort key with sensor-controlled release of luggage compartment lid (with safelock)	•
Lane change warning with exit warning and rear cross traffic assist	•
Lane departure warning	•
Park assist plus with 360 degree cameras	•
quattro with self-locking centre differential	•
EXTERIOR DESIGN	
Aluminium roof rails	o
Bumpers in full paint finish	•
Matrix LED headlights	•
OLED rear lights	•
Roof spoiler	•
Stainless steel loading edge protection	•
WHEELS	
Audi sport wheels, 5-double-spoke module style, matte structure grey inserts, 10.0J x 22 with 285/40 R22 tyres	•
Tyre pressure monitoring system	•
Tyre repair kit	•
COMFORT	
4-zone deluxe automatic air conditioning	•
Ambient lighting package plus	•
Electrically adjustable front sport seats plus with 4-way lumbar support, seat ventilation, heating and memory function for driver and passenger's seat	•
Power-assisted closing for doors	•
Seat upholstery in valcona leather with "S" embossing	•
Sunblinds for rear door windows and rear window	•
INTERIOR DESIGN	
3-spoke leather steering wheel with multifunction plus and shift paddles	•
Cloth headlining in black	•
Front and rear door sill trims with aluminium inserts, illuminated with S logo in front	•
Operating buttons in gloss black with haptic feedback and aluminium-look interior	•
Pedals and footrest in stainless steel	•
Rear seat bench plus	•
INFOTAINMENT	
Audi connect*	•
Audi application store and smartphone interface	•
Audi virtual cockpit plus	•
Bang & Olufsen 3D premium sound system	•
Head-up display	•
MMI navigation plus with MMI touch response	•
USB ports with charging function in rear	•

3-spoke leather steering wheel with multifunction plus and shift paddles



MMI navigation plus with MMI touch response



OLED rear lights



Actual specifications may vary from model shown.

*Audi connect - Audi connect navigation and infotainment, Audi connect emergency call and service with Audi connect remote and control.

Information is accurate as at Jan 2026